

FLIR Duo R™



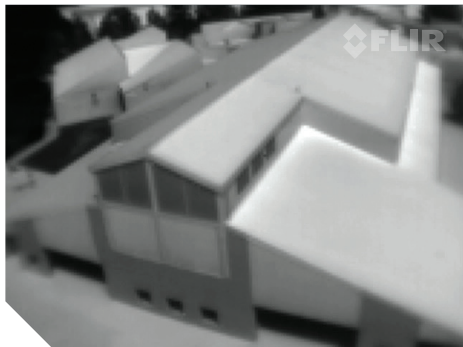
RADIOMETRIC THERMAL AND VISIBLE IMAGING IN A COMPACT PACKAGE

The new FLIR® Duo™ R is the world's first compact, lightweight, radiometric thermal and visible light imager designed for professional drone applications. The same size and shape as the most popular action cameras, Duo R offers all of the same features as the FLIR Duo – like on-board recording, and real-time remote control of camera functions over PWM – but embeds accurate, calibrated temperature measurements in every pixel of the thermal image for remote, non-contact temperature measurements from your aerial platform.

Featuring the cutting edge Lepton thermal sensor, Duo R pairs 160x120 thermal resolution with a 2-megapixel color and low-light camera. Operators can switch between them in flight, select MSX® blended imagery, or view a picture-in-picture mode, and record everything to a microSD card.

Duo R has a wide 5-26 VDC input power range, making integration to onboard systems easy. It also gives you two live video output options: analog video over the 10-pin mini-USB connector, or digital video over micro-HDMI.

No matter how you look at it, Duo R gives you incredible capabilities in a small package and at an affordable price.



Aerial Thermal Roof Inspection

THERMAL AND VISIBLE-LIGHT IMAGING AND RECORDING IN A POPULAR ACTION CAMERA FORM FACTOR

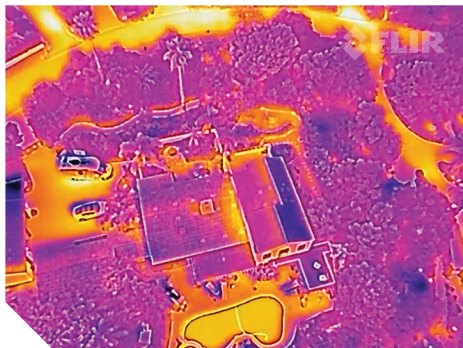
- Fully radiometric thermal images plus thermal video and recording
- Simple power-in/video-out interface over 10-pin mini-USB connector
- Switch between thermal, visible, MSX, or PIP imagery in real time

ON-BOARD RECORDING OF THERMAL AND VISIBLE IMAGERY TO A CONVENIENT ON-BOARD MICROSD CARD

- Record real-time thermal videos with H.264 compression in MOV format
- MSX image enhancement for greater image detail in daylight conditions
- MAVLink integration with MAVLink-compatible flight controllers

FLEXIBLE, POWERFUL CAMERA CONTROL AND CONFIGURATION OPTIONS

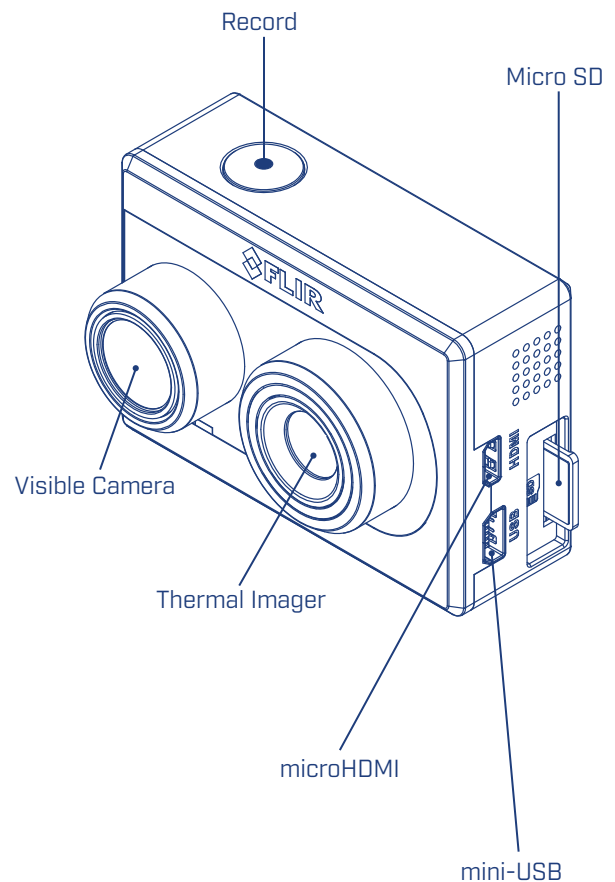
- Control camera functions with PWM inputs – imagery color palettes, recording start/stop, still image capture, or video streaming switch (thermal, visible, MSX, PIP)
- Configure your camera's recording and control settings over Bluetooth with our mobile app
- Field-upgradeability make sure you'll always have the latest features



MSX adds extra detail to thermal images.

Specifications

| Overview | | FLIR Duo R |
|-------------------------------------|--|------------|
| Thermal Imager | Uncooled VOx Microbolometer | |
| Sensor Resolution | 160 × 120 | |
| Lens | 57° × 44° | |
| Spectral Band | 7.5 – 13.5 μm | |
| Thermal Frame Rates | 7.5 Hz (NTSC); 8.3 Hz (PAL) | |
| Thermal Measurement Accuracy | +/-5°C | |
| Visible Camera Resolution | 1920 × 1080 | |
| Visible Camera FOV | 90° | |
| Physical Attributes | | |
| Size | 41 × 59 × 29.6 mm | |
| Weight | 84 grams | |
| Image Processing & Display Controls | | |
| Image Optimization for sUAS? | Yes | |
| Multiple Color Palettes? | Yes – Adjustable in App and via PWM | |
| MSX Enhancement? | Yes | |
| Picture-in-Picture? | Yes | |
| Interfacing | | |
| Mini-USB Connector | Power in, Analog video out, PWM connections, MAVLink control | |
| Input Voltage | 5.0 - 26.0 VDC | |
| Power Dissipation (Peak) | 2.2 W (3.3 W) | |
| Remote Control | Two PWM Controls (assigned in App) | |
| MAVLink interface? | Yes | |
| Digital Video Output | Micro-HDMI; HDMI video at 1080p | |
| Storage Media | Micro-SD card | |
| Environmental | | |
| Operating Temperature Range | 0°C to +50°C | |
| Storage Temperature Range | -20°C to +60°C | |
| Operational Altitude | +12,000 feet | |



viZaar industrial imaging AG
Vertriebs-, Dienstleistungs- und
Schulungszentrum Rhein-Main
 Lupusstraße 17
 35789 Weilmünster-Wolfenhausen
 Tel.: +49 6475 91129-0
 Fax: +49 6475 91129-29
 info@thermografie-xtra.de
 www.thermografie-xtra.de

NASDAQ: FLIR

Equipment described herein is subject to US export regulations and may require a license prior to export. Diversion contrary to US law is prohibited. Imagery for illustration purposes only. Specifications are subject to change without notice. ©2017 FLIR Systems, Inc. All rights reserved. 16-1759

www.thermografie-xtra.de



The World's **Sixth Sense**®